

诚信铸就品质 创新引领未来  
INTEGRITY BUILDS QUALITY INNOVATION LEADS THE FUTURE



 科安特® | 25+ 年  
KEANTE | 专注压片机

全自动智能高速压片机  
Fully automatic intelligent high-speed tablet press

科安特（山东）智能装备有限公司

Keante (Shandong) Intelligent Equipment Co., Ltd.

网 址 : <http://www.keante.cn/>

邮 箱 : keante2019@163.com

联系方式: 0635-7791889

地 址 : 山东省聊城市经济开发区黑龙江路16号

科安特（山东）智能装备有限公司

Keante (Shandong) Intelligent Equipment Co., Ltd.

# 公司简介

COMPANY PROFILE



科安特（山东）智能装备有限公司坐落于聊城经济技术开发区智能光电产业园内，专注于智能制药装备系统的研发与产业化生产。主要产品包括智能高速旋转式压片机、旋转式压片机，以及各类压片机精密模具和非标特殊模具。

公司核心团队由具备制药装备设计、研发经验的技术人员，以及熟悉压片机生产、销售与管理的专业人员组成。公司拥有研发制造团队，其中包含高、中、初级职称的技术人员，具备技术研发与制造能力。公司配备有机械加工、冷、热、表面处理及电气自动化控制等生产和设计所需的设备。

目前，公司在国内建立了销售及售后网络，并设有专业售后服务团队。近年来，公司业务逐步拓展至国外市场。

科安特致力于成为中国高端制药装备领域的优秀制造商，专注于医药装备领域，通过持续优化的产品与服务，为人类健康产业贡献力量。公司秉承“专心做好每件事，创新提高每一天”的理念，坚持“诚信、合作、创新、卓越”的价值观，以诚信对待客户，通过技术创新推动产品研发，以可靠的品质和服务满足市场需求，力求实现客户满意与企业可持续发展的双重目标。

Keante (Shandong) Intelligent Equipment Co., Ltd. is located in the Intelligent Optoelectronic Industrial Park of Liaocheng Economic and Technological Development Zone, focusing on the R&D and industrial production of intelligent pharmaceutical equipment systems. Its main products include intelligent high-speed rotary tablet presses, rotary tablet presses, as well as various precision tooling for tablet presses and non-standard special tooling.

The company's core team consists of technical personnel with experience in pharmaceutical equipment design and R&D, along with professionals well-versed in tablet press production, sales, and management. The company has an R&D and manufacturing team, including technical personnel with senior, intermediate, and junior professional titles, equipped with strong technical R&D and manufacturing capabilities. The company is outfitted with machinery processing, cold/hot/surface treatment, and electrical automation control equipment necessary for production and design.

Currently, the company has established sales and after-sales networks domestically, supported by a professional after-sales service team. In recent years, the company has gradually expanded its business to international markets.

Keante is committed to becoming a distinguished manufacturer in China's high-end pharmaceutical equipment sector, concentrating on the pharmaceutical equipment field and contributing to the human health industry through continuously optimized products and services. The company upholds the philosophy of "Doing every task well, innovating every day for improvement" and adheres to the values of "Integrity, Cooperation, Innovation, and Excellence." By treating customers with integrity, driving product R&D through technological innovation, and meeting market demands with reliable quality and service, Keante strives to achieve the dual goals of customer satisfaction and sustainable enterprise development.

科安特（山东）智能装备有限公司是中国制药装备行业协会会员单位，公司拥有13项专利，是高新技术企业、创新型中小企业、科技型中小企业，通过ISO9001国际质量体系认证。我们的产品符合GMP要求。拥有自主研发和生产能力，能根据客户需求定制产品，提供技术咨询和设备技术服务。核心零部件自主生产，质量可靠，控制元件采用国内国际知名品牌。

Keante (Shandong) Intelligent Equipment Co., Ltd. is a member unit of the China Association For Pharmaceutical Equipment. The company has 13 patents and is a high-tech enterprise, innovative small and medium-sized enterprise, and technology-based small and medium-sized enterprise. It has passed ISO9001 international quality system certification. Our products comply with GMP requirements. Having independent research and production capabilities, able to customize products according to customer needs, provide technical consulting and equipment technical services. The core components are independently produced with reliable quality, and the control components are sourced from well-known domestic and international brands.



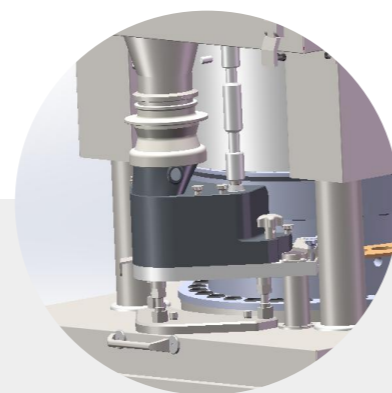
# 产品与服务

Product and service

INTEGRITY BUILDS QUALITY INNOVATION LEADS THE FUTURE

# ZP300系列旋转式压片机

## ZP300 Series Rotary Tablet Press



可选配强迫加料器

### 特点介绍

#### Characteristic introduction

- 单压式结构，具备预压功能，压力大，运转平稳。
- 采用国际标准IPT冲模，可压制大规格圆形及异形片剂。本机符合GMP要求。
- 电气控制采用PLC+触摸屏，操作方便，易于清洁。
- 采用智能集中润滑系统，可设定加润滑油的时间间隔，并自动加油。
- 易损部件下冲导轨采用特殊安装方式，拆卸更换简单快捷。
- 配备高档双层三叶轮强迫加料器，能使物料均匀地充满模孔，减少片重差异。缺料报警。
- 压片室内无死角，易于内部清理和保养。
- 可根据客户需求，对片径、充填进行扩充。
- 可根据客户需求，加装各种功能，如压力显示、各种报警。
- Single pressure structure, with preloading function, high pressure and stable operation.
- Adopting international standard IPT die, large-size round and irregular tablets can be pressed. This machine meets GMP requirements.
- The electric control adopts PLC+ touch screen, which is convenient to operate and easy to clean.
- Using intelligent centralized lubrication system, the time interval of lubricating oil can be set and the oil can be added automatically.
- Special installation method is adopted for the lower rail guide of vulnerable parts, which is simple and quick to remove and replace.
- Equipped with high-grade double-layer three-impeller forced feeder, the material can fill the die hole evenly and reduce the difference of sheet weight. Material shortage alarm.
- The tablet press room has no corners that are difficult to clean, making it easy to clean and maintain internally.
- According to customer's demand, the diameter and filling can be expanded.
- Various functions can be installed according to customer's needs, such as pressure display and various alarms.

### 技术参数

#### Technical Parameter

		ZP300			
		ZP300-22	ZP300-26	ZP300-32	ZP300-34
产品型号Product model					
冲头数目Number of stations		22	26	32	34
模具型号Mould model		T系列D型	T系列B型	T系列BB型	T系列BBS型
最大产量Max Output	tablets/h	42240	62400	76800	81600
最大主压Max main pressure	kN	100	100	100	100*
最大预压Max pre-pressure	kN	20	20	20	20
最大片径 Max tablet diamete	mm	25	16	13	11
异形片最大片径Max diameter of irregular tablet	mm	25	19	16	13
最大充填Max filling	mm	18	18	18	18
最大片厚Max tablet thickness	mm	10	10	10	10
转速范围Rotation speed range	r/min	5-32	5-40	5-40	5-40
中模直径Diameter of die	mm	38.1	30.16	24	22
中模高度Middle die height	mm	23.8	22.22	22.22	22.22
冲杆直径Diameter of punch	mm	25.35	19	19	19
上冲杆长度Upper punch rod length	mm	133.4	133.4	133.4	133.4
下冲杆长度Lower punch rod length	mm	133.4	133.4	133.4	133.4
上冲入模深度Upper punch insertion depth	mm	3	3	3	3
机器特性参数Machine characteristic parameter					
尺寸Dimension	mm	840x900x1720			
重量Weight	kg	约1200			
工作电压Operating voltage	V	380			
主电机功率Main motor power	kW	5.5			
环境条件Environmental conditions					
相对空气湿度(非浓缩) Relative air humidity (non-concentrated)		5-95%			
压片室温度Tablet chamber temperature		5-35°C			
操作室温度Operating room temperature		0-25°C			

注：表中最大产量为理论最高转速时的产量，实际生产中由于颗粒状态、片剂压力、片剂直径厚度等诸多因素会影响产量。

\*：BBS型模具最大承受压力为70KN。

Note: The maximum output in the table is the output at the theoretical maximum rotation speed. In actual production, many factors such as particle state, tablet pressure, tablet diameter and thickness will affect the output.

\*The maximum pressure that the BBS mold can withstand is 70KN.



### 特点介绍

#### Characteristic introduction

本产品外观体积小、重量轻、易安装、易拆卸、易清理、噪音低、上料效率高、控制方便、设备稳定性好。适用于多种制药设备的上料及输送，完全符合GMP标准。

The appearance of this product is small, light weight, easy to install, easy to disassemble, easy to clean, low noise, high feeding efficiency, convenient control, good equipment stability. Suitable for a variety of pharmaceutical equipment feeding and conveying, In line with GMP standards.

### 技术参数

#### Technical Parameter

型号Model	输送量Conveying capacity ( kg/h )	耗气量Gas consumption ( L/min )	供气压力Gas supply pressure ( Mpa )
QVC-1	50-300	180	0.5-0.6
QVC-2	100-700	360	0.5-0.6
QVC-3	300-1500	720	0.5-0.6
QVC-4	600-3000	1440	0.5-0.6
QVC-5	900-6000	2880	0.5-0.6
QVC-6	1000-9000	4320	0.5-0.6

## 上旋式筛片机

### Upward Rotating Screening Tablet Machine



### 特点介绍

#### Characteristic introduction

片剂除尘路径长，药片自动翻面磨光，除尘效果好但不损伤片剂。同时可作为需要自动除尘的片状、块状、粒状固体制剂产品的输出设备。符合GMP要求。

The tablet dust removal path is long, and the tablet automatically flips and polishes, resulting in good dust removal effect without damaging the tablet. It can also serve as an output device for sheet, block, and granular solid preparation products that require automatic dust removal. Compliant with GMP requirements.

### 技术参数

#### Technical Parameter

型号Model	KAT-200C
生产效率 (tablets/h)Production efficiency	1000000 ( φ6 )
除尘距离(m)Dust removal distance	7.5
适用范围(mm)Scope of application	φ3—φ25
电源指标Power supply specifications	220V/50HZ
压缩空气Compressed air	0.1m <sup>3</sup> /min~0.05Mpa
真空吸尘Vacuum cleaning	2.7m <sup>3</sup> /min~0.1Mpa
外形尺寸(mm)Dimension	500*550*1400
重量(kg)Weight	80

## 下旋式筛片机

### Downward Rotary Screening Tablet Machine



### 特点介绍

#### Characteristic introduction

- 多层筛结构，使药片与粉尘有效分离，全部生产过程直观、可视。
- 振幅及生产速度连续可调；拆、装操作简单，使用、清洁方便。
- 性能可靠，效率高，噪音低。
- Multi-layer screen structure, the effective separation of tablets and dust, the entire production process is intuitive and visible.
- Continuous adjustable amplitude and production speed; Easy to disassemble and assemble, convenient to use and clean.
- Reliable performance, high efficiency, low noise.

### 技术参数

#### Technical Parameter

项目Project	型号Model	SP-310
生产效率(tablets/h)Production efficiency	0-55000 ( φ6mm 圆形片剂数据 round tablets data )	
除尘距离(m)Dust removal distance	3	
噪声(db)Noise	< 82	
电源指标Power supply specifications	~ 220V 50HZ 1P	
外形尺寸(mm)Dimension	410*410*850	
重量(kg)Weight	40	

## 滚筒式筛片机

### Drum Type Screening Tablet Machine



### 特点介绍

#### Characteristic introduction

- 采用滚动输送原理，摩擦系数小，磨损轻，筛孔不易堵塞。
- 滚筒支承采用整体通轴结构，运行平稳，不振动，噪声低。
- 滚筒体采用有效的全密封结构，不扬尘，不污染。
- 可按客户要求采用不同筛网材质，筛孔尺寸，筛分效率高，使用寿命长，维护成本低。
- Adopting the rolling conveying principle, the friction coefficient is small, the wear is light, and the sieve holes are not easily blocked.
- The drum support adopts an integral shaft structure, which runs smoothly, without vibration, and has low noise.
- The drum body adopts an effective fully sealed structure, which does not raise dust or pollute.
- We can use different screen materials and mesh sizes according to customer requirements, with high screening efficiency, long service life, and low maintenance costs.

### 技术参数

#### Technical Parameter

型号Model	ZWS-137
电动机功率(W)Motor power	60
筛片筒直径(mm)Diameter of sieve tube	130
筛片筒速度(rmp)Screen cylinder speed	0-30
整机重量(kg)Weight	37
外形尺寸(mm)Dimension	750x320 x1030

## 金属检测机 Metal Detector

### 特点介绍

#### Characteristic introduction

- 可用于检测分离药片和胶囊中的磁性及非磁性金属。
- 探测线圈采用不锈钢材料制造，内部采用完全密封形式，一次性浇注，永固态。
- 接受工业现场振动，供电应单独布线，以防止其他电气的电磁干扰。
- 洁净化设计，方便清洁。
- It can be used to detect magnetic and nonmagnetic metals in separated tablets and capsules.
- The detection coil is made of stainless steel, and the inside is completely sealed, which is poured once and is permanently solid.
- To accept the vibration of industrial site, the power supply should be wired separately to prevent the electromagnetic interference of other electricity.
- Clean design, easy to clean.

### 技术参数

#### Technical Parameter

型号 Model	检测精度Check the accuracy			处理量Processing capacity tablets/h	处理量Processing capacity grain/h
	Fe(mm)	SUS ( mm )	NoFe ( mm )		
T68/18	0.2	0.4	0.2	46万	25万
T60/30	0.2	0.4	0.3	60万	50万

## NT系列吸尘器 NT Series Vacuum Cleaner

### 特点介绍

#### Characteristic introduction

适合各种场所使用，占地面积小，可以附加或者嵌入各种设备中使用，可吸除切屑、粉尘、颗粒物等。

Suitable for use in various places, with a small footprint, it can be attached or embedded in various devices for use, and can absorb chips, dust, particles, etc.

### 技术参数

#### Technical Parameter

型号Model	NT300	NT301	NT302	NT303
功率(kW)Power	1.1	1.5	2.2	3.0
电压(V)Voltage	380/50	380/50	380/50	380/50
真空气压(mbar) Vacuum pressure	200	220	230	310
最大流量(m <sup>3</sup> /h) Max flow rate	280	300	380	400
集尘桶容积(L) Dust collection bucket capacity	30	30	30	30
过滤网面积(m <sup>2</sup> ) Filtering net area	2.5	2.5	2.5	2.5
噪音dB(A)Noise	62	62	68	70
尺寸(mm)Dimension	500*450*1200	500*450*1200	500*450*1200	500*450*1200
重量(kg)Weight	55	58	65	68

## BN系列吸尘器 BN Series Vacuum Cleaner



### 特点介绍

#### Characteristic introduction

BN系列重型工业吸尘器，吸力强劲可24小时不停机连续工作。适用于吸比较重的颗粒和大量灰尘。采用三相高压涡轮风机，可长时间不停机运转。手动反吹功能可随时进行反吹清灰，保证不堵塞滤网，滤材选用超大高效滤芯，过滤精度高。

The BN series heavy-duty industrial vacuum cleaner has strong suction and can work continuously for 24 hours without stopping. Suitable for absorbing heavy particles and large amounts of dust. Adopting a three-phase high-pressure turbine fan, it can operate for a long time without stopping. The manual reverse blowing function allows for reverse blowing and cleaning of dust at any time, ensuring that the filter screen is not clogged. The filter material uses a super large and efficient filter element, with high filtration accuracy.

### 技术参数

#### Technical Parameter

型号Model	BN/2210FC	BN/3010FC	BN/4010FC	BN/5510FC	BN/7510FC
电压(V)Voltage	220	380	380	380	380
额定频率(HZ)Rated frequency	50	50	50	50	50
功率(kW)Power	2.2	3.0	4.0	5.5	7.5
真空气压(mbar) Vacuum pressure	230	260	290	330	350
过滤网面积(m <sup>2</sup> )Filter area	4.2	4.2	4.2	4.2	4.2
吸入口径(mm)Suction diameter	40	40/50	40/50	50	50
容量(L)Capacity	70	80	80	100	100
重量 (kg)Weight	97	103	110	130	134
尺寸(mm)Dimension	1250*600*1000	1250*600*1150	1250*600*1150	1250*600*1300	1250*600*1300

## 高精度模具 High Precision Mold

本公司使用先进的热处理技术、高精密的数控机床加工以及科学的检验手段来制作各种冲模。且生产的模具以其硬度、韧性及耐磨性方面的优势适用于各种高低速机型。可满足圆形、异型、深凹、浅凹、单冲头、多冲头等多种常见形式的冲模要求。

Our company utilizes advanced heat treatment technology, high-precision CNC machining, and scientific inspection methods to manufacture various types of punches and dies. The tooling we produce, with its advantages in hardness, toughness, and wear resistance, is suitable for various high-speed and low-speed machine models. It can meet the requirements for punches and dies in various common forms, including round, shaped, deep concave, shallow concave, single-punch, and multi-punch configurations.



## 售后无忧

Worry-Free After-Sales



产品提供自验收之日起一年的质量保证期。质保期内，凡因产品自身设计、制造原因导致的质量问题，我方负责免费维修或更换故障部件，并提供相应的技术支持服务。在设备安装调试期间，我方将安排技术人员现场指导，确保设备正确安装，并为操作人员提供必要的使用和维护培训。质保期满后，我方继续提供产品技术咨询、维修支持及备件供应服务（维修过程中涉及的材料费和人工服务费将按优惠价格另行收取）。建立客户档案，定期进行回访，了解设备运行状况，及时响应客户需求。

The product comes with a one-year quality warranty period starting from the date of acceptance. During the warranty period, for any quality issues caused by the product's own design or manufacturing defects, our company is responsible for free repair or replacement of faulty components and will provide corresponding technical support services. During the equipment installation and commissioning phase, our company will arrange for technical personnel to provide on-site guidance to ensure correct installation and provide necessary operation and maintenance training for the operators. After the warranty period expires, our company will continue to provide product technical consultation, maintenance support, and spare parts supply services (material costs and labor service fees incurred during repairs will be charged separately at preferential prices). We will establish customer files, conduct regular follow-up visits to understand equipment operating conditions, and respond promptly to customer needs.

我们重视每一位客户的需求。对于客户的来电或来函问询，我们承诺给予及时响应。在收到设备故障等服务请求后，我们将在24小时内通过电话或远程连线的方式，提供技术诊断与指导。

We value the needs of every customer. We promise to provide timely responses to customer inquiries received by phone or letter. Upon receipt of service requests such as equipment malfunction, we will provide technical diagnosis and guidance via phone or remote connection within 24 hours.